

**MINITRANSPORTER CINGOLATO**

**SC-431 DB**  
**LDB**

**CON MOTORE MITSUBISHI GM181LN**

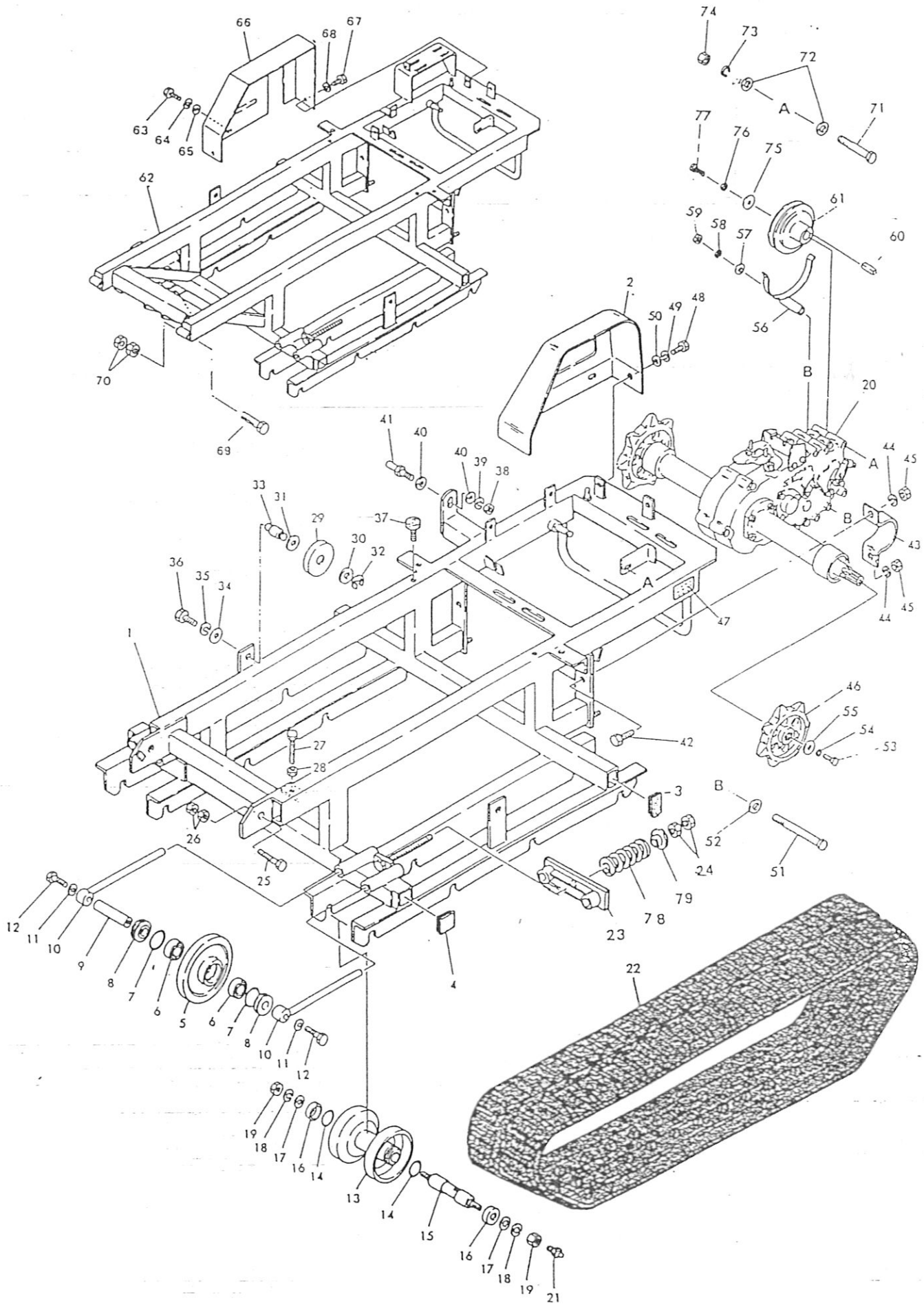
**ESPLOSO RICAMBI**

**SABRE ITALIA** 

Tel. 0444 977655 – Fax 0444 977200  
[www.sabreitalia.com](http://www.sabreitalia.com) – [info@sabreitalia.com](mailto:info@sabreitalia.com)

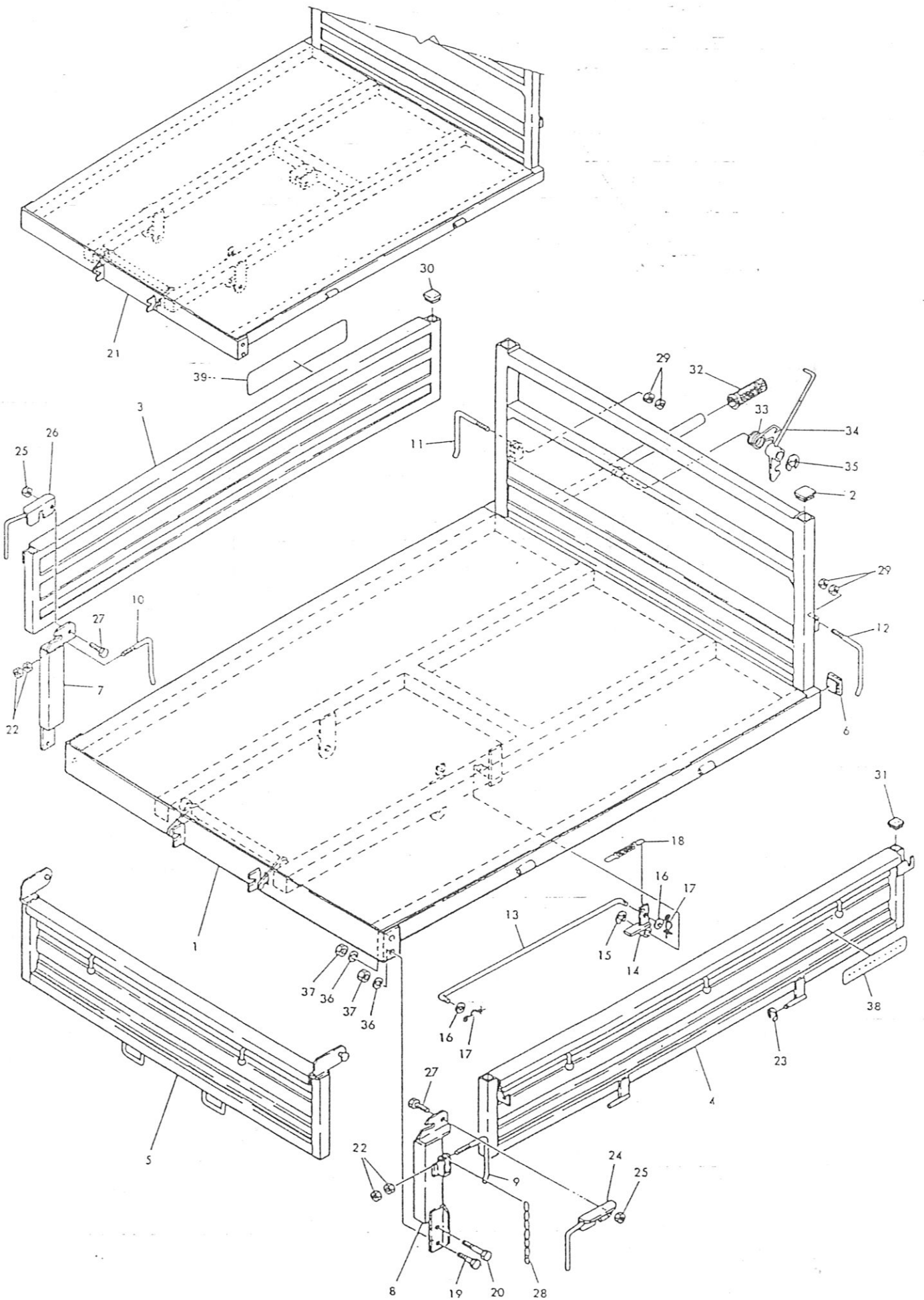
目 次

1.	SC 4 3 1	DB LDB	FRAME .....	2
2.	SC 4 3 1	DB LDB	LOADING DECK.....	5
3.	SC 4 3 1	DB LDB	OPERATION LEVER.....	8



DWG NO.	CORD NO.	PARTS NAMES	STANDARD	QTY FOR DA	QTY FOR LDA	REMARKS
1- 1	60800020000	Chassis		1		
2	6565210000	Belt Cover		1		
3	7396207000	Rubber Cap	Sq. Pipe, for 50x30xt2.3/tl.6	2	2	
4	8056394000	Rubber Cap	Sq. Pipe, for 40 x 40 x t 2	2	2	
5	6331530000	Front Wheel		2	2	
6	0040146204	Bearing	# 6204 (2NS)	4	4	
7	0052300450	O-Ring	G45	4	4	
8	6066511000	Dust Protecting Collar for Front Wheel		4	4	
9	6061540000	Front Wheel Shaft		2	4	
10	6061410000	Crawler Extension Rod		4	4	
11	0027100012	Spring Washer	M12	4	4	
12	0010111245	Bolt	M12x45 (S45C 8T)	4	4	
13	6061550000	Free Wheel		8	8	
14	0052100360	O-Ring	P36	16	16	
15	6061560000	Free Wheel Shaft		8	8	
16	6061591000	Free Wheel Dust Protecting Cap		16	16	
17	0026100020	Flat Washer	M20	16	16	
18	0027100020	Spring Washer	M20	16	16	
19	0020100020	Nut	M20xP1.5	16	16	
20	6776012000	Transmission Assy	FE11BG 02 (SC 430 DA仕様)	1	1	
21	0060660000	Grease Nipple	1/4-28UNF A形	8	8	
22	6406203000	Rubber Crawler	W L P 200 x 35 x 72	2	2	
23	6331420000	Crawler Tension Metal		2	2	
24	0020100016	Nut	M16	4	4	
25	6036050000	Connecting Bolt	M14x45	2	2	
26	0020100014	Nut	M14	4	4	
27	01000000193	Bolt	M10x70 Fully Threaded	1	1	
28	0020100000	Nut	M10	1	1	
29	6376520000	Rolling Wheel		2	2	
30	0026100014	Flat Washer	M14	2	2	
31	0026100014	Flat Washer	M14	2	2	
32	0036800012	E-Ring	E12	2	2	
33	6371580000	Rolling Wheel Shaft		2	2	
34	6102040000	Collar		2	2	
35	0027100008	Spring Washer	M8	2	2	
36	00101000816	Bolt	M8 x 16	2	2	
37	6376512000	Rubber		2	2	
38	0020100012	Nut	M12	1		
39	0027100012	Spring Washer	M12	1		

DWG NO.	CORD NO.	PARTS NAMES	STANDARD	QTY FOR. DA.	QTY FOR. LDA.		
1- 40	0026100012	Flat Washer	M12	2			
41	6062070010	Hook Screw		1			
42	0100000042	Bolt	M12×35	2	2		
43	6031232000	Metal		2	2		
44	0027100012	Spring Washer	M12	4	4		
45	0020100012	Nut	M12	4	4		
46	6030020000	Sprocket 7T		2	2		
47	6066020031	Model Marks		1	1		
48	0010100816	Bolt	M8×16	3			
49	0027100008	Spring Washer	M8	3			
50	0026100008	Flat Washer	M8	3			
51	00101008190	Bolt	M8×190	1	1		
52	0026100008	Flat Washer	M8	1	1		
53	0010101020	Bolt	M10×20	2	2		
54	0027100010	Spring Washer	M10	2	2		
55	6030201000	Washer		2	2		
56	6772320000	Washer		1	1		
57	0026100008	Flat Washer	M8	1	1		
58	0027100008	Spring Washer	M8	1	1		
59	0020100008	Nut	M8	1	1		
60	0030000001	Key	5×5×25	1	1		
61	6772330000	Input Axle Pulley		1	1		
62	60820020000	Chassis			1		
63	0010100816	Bolt	M8×16		2		
64	0027100008	Spring Washer	M8		2		
65	0026100008	Flat Washer	M8		2		
66	6572340000	Belt. Cover			1		
67	0010100816	Bolt	M8×16		1		
68	0027100008	Spring Washer	M8		1		
69	0010111685	Bolt	M16×85 (S45C 8T)		2		
70	0020100016	Nut	M16		4		
71	0100000085	Bolt	M10×130	1	1		
72	0026100010	Flat Washer	M10	2	2		
73	0027100010	Spring Washer	M10	1	1		
74	0020100010	Nut	M10	1	1		
75	6032201010	Washer		1	1		
76	0027100006	Spring Washer	M6	1	1		
77	0010100616	Bolt	M6×16	1	1		
78	60800020100	Spring		2	2		
79	6921350000	Washer For Spring		2	2		

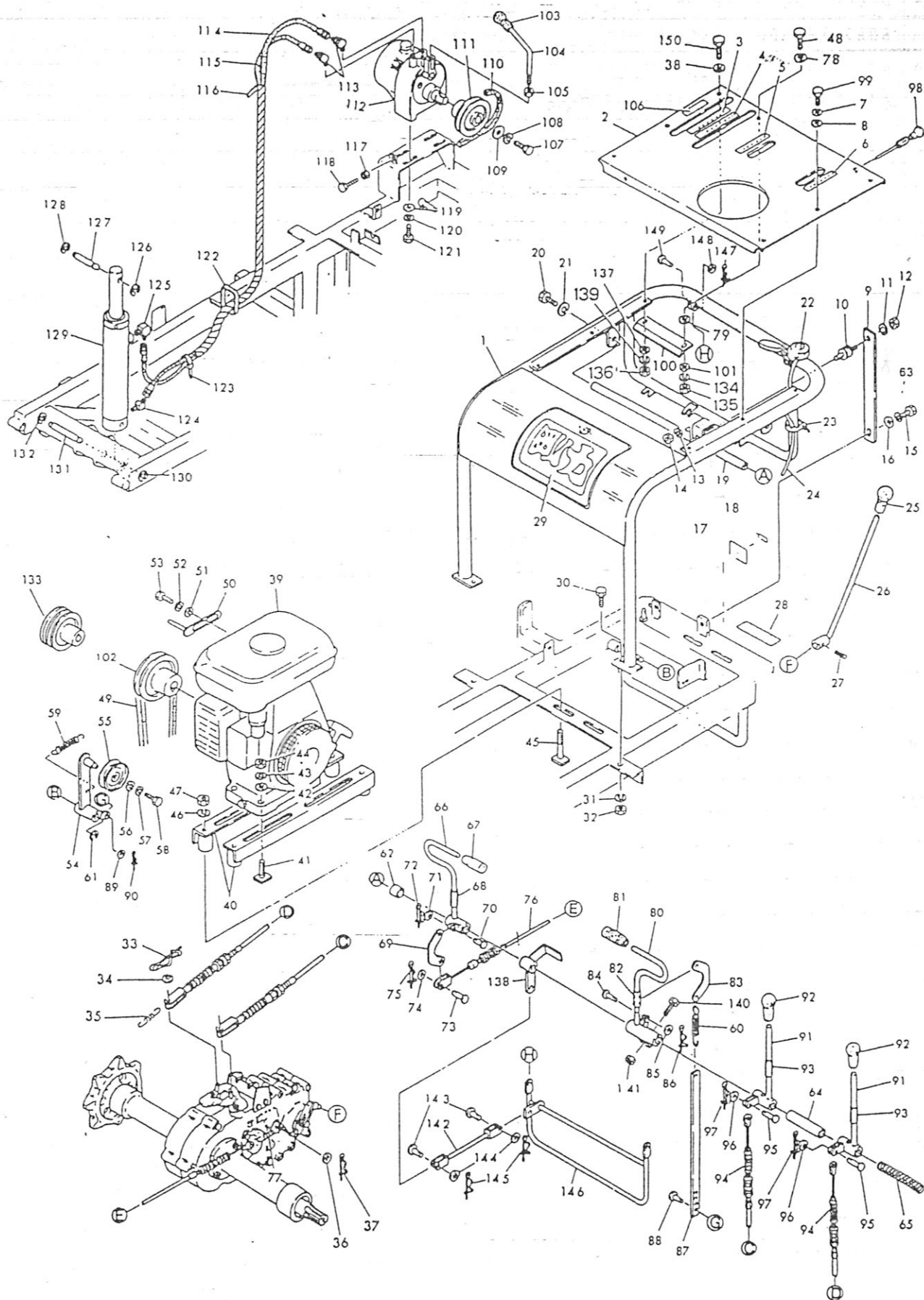




DWG NO.	PARTS NOS.	PARTS NAMES	STANDARD	QTY FOR DA	QTY FOR LDA		
2-	1	6702260000	Deck	1			
	2	6056210000	Rubber Cap	For Sq. Pipe 32×32×t1.6	2	2	
	3	6372617000	Door, RH	1	1		
	4	6372617010	Door, LH	1	1		
	5	6702270000	Front Door	1	1		
	6	8056394000	Rubber Cap	For Sq. Pipe 40×40×t2	2	2	
	7	6372621000	Support, Front RH	1	1		
	8	6372622000	Support, Front LH	1	1		
	9	6062392000	Door Hook	1	1		
	10	6062392010	Door Hook	1	1		
	11	6062392000	Door Hook	1	1		
	12	6062392010	Door Hook	1	1		
	13	6402394000	Rod, Hook	1			
		6372394020	Rod, Hook		1		
	14	6372250000	Metal	1	1		
	15	0036800012	E-Ring	E12	1	1	
	16	0026100008	Flat Washer	M8	2	2	
	17	0031199008	Pin with Stopper	For Ø8	2	2	
	18	6062104000	Spring		1	1	
	19	0010101025	Bolt	M10×25	2	2	
	20	0100000060	Bolt	M10×65 Fully Threaded	2	2	
	21	6712260000	Deck			1	
	22	0020300010	Nut	M10 (3種)	4	4	
	23	0036800008	E-Ring	E8	2	2	
	24	6062391010	Support Upper Hook LH		1	1	
	25	0020100008	Nut	M8	2	2	
	26	6062391000	Support Upper Hook RH		1	1	
	27	0100000015	Bolt	M8×25	2	2	
	28	6066140000	Linked Chain		4	4	
	29	0020100010	Nut	M10	4	4	
	30	6056210010	Rubber Cap	For Sq. Pipe 25×25×t1.6	1	1	
	31	6056210010	Rubber Cap	For Sq. Pipe 25×25×t1.6	1	1	
	32	6066030000	Grip	For Ø27	1		
	33	6062104040	Dump Hook Return Spring		1		
	34	6062393000	Dump Hook		1		
	35	0036800012	E-Ring	E12	1		
	36	0027100010	Spring Washer	M10	4	4	
	37	0020100010	Nut	M10	4	4	
	38	6506020001	Marks	450 kg	1	1	







DWG NO.	PARTS NOS.	PARTS NAMES	STANDARD	QTY FOR DA	QTY FOR LDA	
3-1	6564310000	Handle		1	1	
2	6564650000	Guide Plate		1	1	
3	6906020320	Brake On-Off Mark		1	1	
4	6906020310	Traction On-Off Mark		1	1	
5	6906020330	Right-Turn Mark		1	1	
6	6906020340	Left-Turn Mark		1	1	
7	0027100006	Spring Washer	M6	5	5	
8	6066070000	Washer		5	5	
9	6562512000	Handle Stay		1	1	
10	7906204000	Anti-Vibration Rubber M10		1	1	
11	0027100010	Spring Washer	M10	1	1	
12	0020100010	Nut	M10	1	1	
13	0027100010	Spring Washer	M10	1	1	
14	0020100010	Nut	M10	1	1	
15	0010101025	Bolt	M10×25	1	1	
16	0026100010	Flat Washer	M10	1	1	
17	6316026000	Refuel Mark		1	1	
18	6776020500	Fuel Indication Mark		1	1	
19	6502150000	Lever Shaft		1	1	
20	0010100816	Bolt	M8×16	2	2	
21	0027100008	Spring Washer	M8	2	2	
22	6066132000	Throttle Lever		1	1	
23	2499110030	Band	RF 150	3	1	
24	6066043000	Throttle Wire		1	1	For GEF18RE Engine
	7006044000	Throttle Wire		1	1	For EY-18-3B Engine
	7006044000	Throttle Wire		1	1	For GM180 Engine
	7006044000	Throttle Wire		1	1	For GX 140 Engine
25	6066030030	Grip	For Ø12 Black	1	1	
26	6772450000	Shift Lever		1	1	
27	0030300525	Spring Pin	φ 5×25	1	1	
28	6846074000	Shift Mark		1	1	
29	6066020080	Trade Mark		1	1	TAM Mark 674602000
30	0010101025	Bolt	M10×25	2	2	
31	0027100010	Spring Washer	M10	2	2	
32	0020100010	Nut	M10	2	2	
33	0031199006	Pin with Stopper	For Ø6	2	2	

DWG NO.	PARTS NOS.	PARTS NAMES	STANDARD	QTY FOR DAFOR	QTY FOR LDA	備考
3-34	0026100006	Flat Washer	M6	2	2	
35	6062104000	Return Spring		2	2	
36	0026100006	Flat Washer	M6	1	1	
37	0031199006	Pin With Stopper	φ6用	1	1	
38	6066070000	Flat Washer		1	1	
39		Engine	Shibaura GEF18RE	1	1	
		Engine	Fuji ROBIN EY-18-3B	1	1	
		Engine	Mitsubishi MEIKI GM180		1	
		Engine	Honda GX140	1	1	
40	6032290001	Engine Base		2	2	
41	6032072000	Engine Bolt		4	4	For GEF18RE Engine
	6032072000	Engine Bolt		4	4	For EY-18-3B Engine
	6332072010	Engine Bolt		4	4	For GM180 Engine
	6332072010	Engine Bolt		4	4	For GX140 Engine
42	0026100010	Flat Washer	M10	4	4	For 6032072000 Engine Bolt
	0026100008	Flat Washer	M8	4	4	For 6332072010 Engine Bolt
43	0027100010	Spring Washer	M10	4	4	For 6032072000 Engine Bolt
	0027100008	Spring Washer	M8	4	4	For 6332072010 Engine Bolt
44	0020100010	Nut	M10	4	4	For 6032072000 Engine Bolt
	0020100008	Nut	M10	4	4	For 6332072010 Engine Bolt
45	6332072000	Engine Bolt		4	4	
46	0027100010	Spring Washer	M10	4	4	
47	0020100010	Nut	M10	4	4	
48	0010100620	Bolt	M6×20	1	1	
49	0080300036	V-Belt	B34	1	1	For GEF18RE Engine
	0080300037	V-Belt	B35	1	1	For EY-18-3B Engine
	0080300037	V-Belt	B35	1	1	For G510LEngine
	0080300037	V-Belt	B35	1	1	For GX140 Engine
	0080300033	V-Belt	B33	1	1	For GM180 Engine
50	6152370000	Belt Holder		2	2	
51	0026100008	Flat Washer	M8	2	2	

DWG NO	PARTS NOS.	PARTS NAMES	STANDARD	QTY FOR DA	QTY FOR LDA
3- 52	0027100008	Spring Washer	M8	2	2
53	0010100816	Bolt	M8×16	2	2
54	6562280000	Traction Tension Arm		1	1
55	6066110000	Tension Pulley	SST	1	1
56	6066070000	Washer		1	1
57	0027100006	Spring Washer	M6	1	1
58	0010100614	Bolt	M6×14	1	1
59	6062104020	Return Spring		1	1
60	6062105000	Tension Spring		1	1
61	0036800012	E-Ring	E12	1	1
62	6502040000	Collar (A) (Lever Shaft)		1	1
63	0027100010	Spring Washer	M10	1	1
64	6502040020	Collar (C) (Lever Shaft)		1	1
65	2598211480	Spring		1	1
66	6562330010	Brake Lever		1	1
67	6066030020	Grip	For Ø9.5 Red	1	1
68	6066151000	Vinyl Pipe	φ10×ℓ20	1	1
69	2737220010	Wire Hook		1	1
70	6066080000	Pin		1	1
71	0026100006	Flat Washer	M6	1	1
72	0031199006	Pin with Stopper	For Ø6	1	1
73	6066080000	Pin		1	1
74	0026100006	Flat Washer	M6	1	1
75	0031199006	Pin With Stoper	For Ø6	1	1
76	6566040000	Brake Wire		1	1
77	6062105000	Spring		1	1
78	6066070000	Washer		1	1
79	4232201000	Washer		1	1
80	6564330000	Traction Lever		1	1
81	6066030010	Grip	Ø9.5 Black	1	1
82	6066151000	Vinyle Pipe	φ10×ℓ20	1	1
83	2737220010	Wire Hook		1	1
84	6066080000	Pin		1	1
85	0026100006	Flat Washer	M6	1	1
86	0031199006	Pin With Stopper	For Ø6	1	1
87	6562390000	Traction Rod		1	1
88	6066080000	Pin		1	1
89	0026100006	Flat Washer	M6	1	1
90	0031199006	Pin With Stopper	For Ø6	1	1

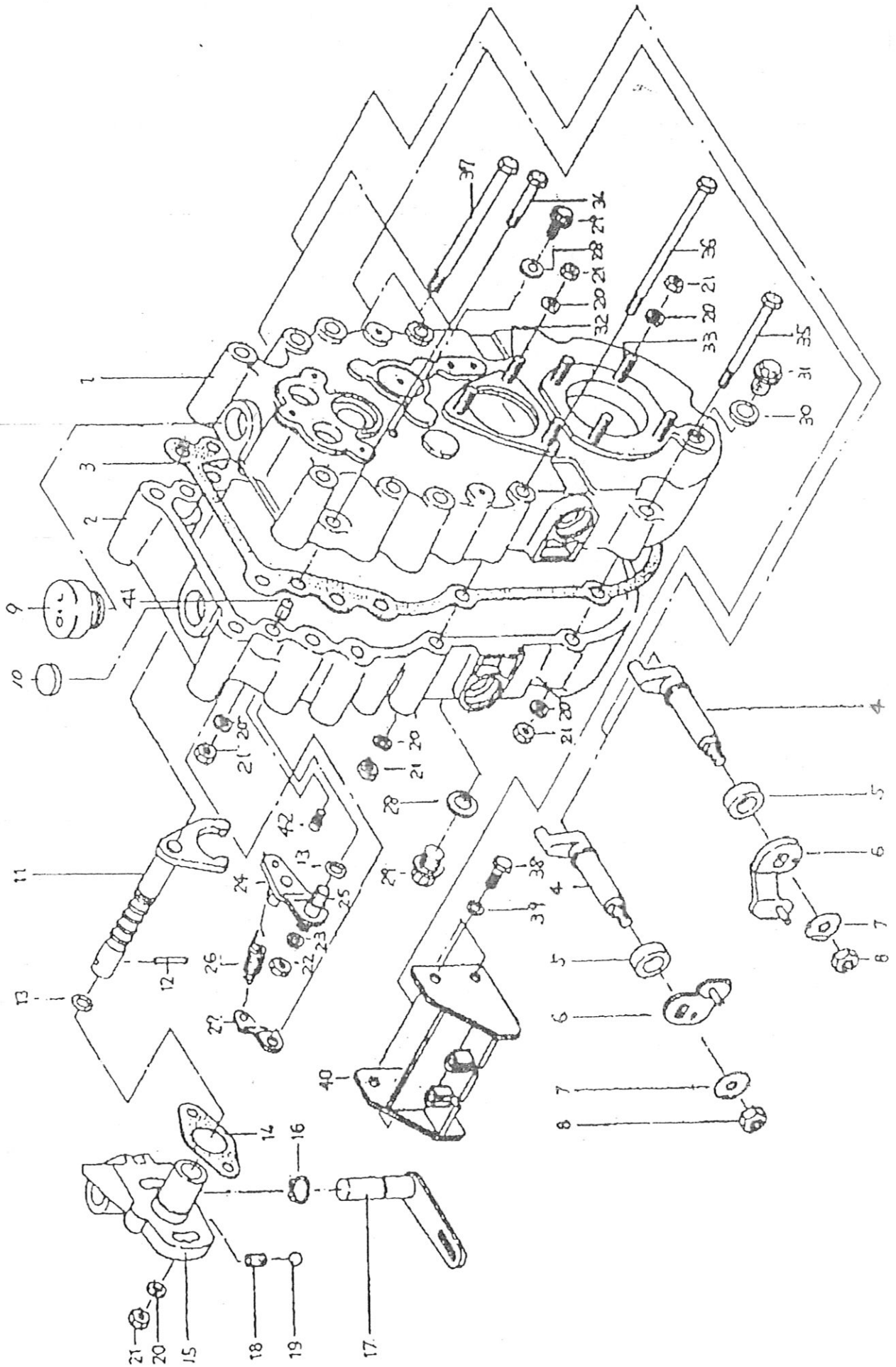
DWG NO	CORD NO.	PARTS NAMES	STANDARD	QTY FOR DA	QTY FOR LDA	
3- 91	6032334000	Side Clutch Lever(2)		2	2	
92	6066030030	Grip		2	2	
93	6066151010	Vinyl Pipe	φ12×ℓ20	2	2	
94	6776070000	Side Clutch Wire		2	2	
95	6066080000	Pin		2	2	
96	0026100006	Flat Washer	M6	2	2	
97	0031199006	Pin with Stopper		2	2	
98	6066044000	Choke Wire		1	1	for GEF18RE Engine
99	0010100612	Bolt	M6×12	5	5	
100	6564246020	Stopper		1	1	
101	0026100006	Flat Washer	M6	2	2	
102	6772330010	Engine Pulley		1		
103	6006030000	Grip			1	
104	6522335000	Hydraulic Lever			1	
105	0020100010	Nut	M10		1	
106	6906020350	Hydraulic Mark			1	
107	0010101016	Bolt	M10×16		1	
108	0027100010	Spring Washer	M10		1	
109	6032201000	Washer			1	
110	0080200020	V-Belt	A20		1	For SHIBAURA GEF18RE Engine
	0080200022	V-Belt	A22		1	For ROBIN EY-18-3B Engine
	0080200022	V-Belt	A22		1	For MITSUBISHI GM-180 Engine
	0080200020	V-Belt	A20		1	For HONDA GX140 Engine
111	6372305000	Input Shaft Pulley			1	
112	6376161000	Hyd. Power Package	PPH1.7AC		1	
113	6376163000	45° Elbow	PT¼-PF¼ メスシート		2	
114	6396164000	Hydraulic Hose	ℓ 1815		1	
115	6396164010	Hydraulic Hose	ℓ 1715		1	
116	6396501000	Spiral Tube	SPP18 ℓ 1100		1	
117	0020100008	Nut	M8		1	
118	0100000019	Bolt	M8×45		1	
119	0026100008	Flat Washer	M8		4	
120	0027100008	Spring Washer	M8		4	



DWG NO	CORD NO.	PARTS NAMES	STANDARD	QTY FOR DA	QTY FOR LDA	REMARKS
3-121	0010100820	Bolt	M8×20		4	
122	2398750120	Band	RF 250 Black		4	
123	2499110030	Band	RF 150 White		1	
124	6376163000	45° Elbow	PT¼-PF¼ メスシート		1	
125	6606163000 (8506045000)	90° Elbow	EP-O-201H PT¼-PF¼メスシート		1	
126	0036800015	E-Ring	E15		1	
127	6522523000	Cylinder Pin (A)			1	
128	0036800015	E-Ring	E15		1	
129	6526162000	Cylinder			1	
130	0036800015	E-Ring	E15		1	
131	6522523010	Cylinder Pin (B)			1	
132	0036800015	E-Ring	E15		1	
133	6782330000	Engine Pulley			1	
134	0027100006	Spring Washer	M6	1	1	
135	0020100006	Nut	M6	1	1	
136	0020100006	Nut	M6			
137	0026100006	Flat Washer	M6	1	1	
138	6564246010	Metal for Safety Equipments (B)		1	1	
139	0027100006	Spring Washer		1	1	
140	0100000016	Bolt	M8×30	1	1	
141	0020100008	Nut	M8	1	1	
142	6564400000	Rod		1	1	
143	6066080000	Pin		2	2	
144	0026100006	Flat Washer	M6	2	2	
145	0031199006	Pin with Stopper	For Ø6	2	2	
146	6564246000	Bar (A)		1	1	
147	0031199006	Pin with Stoper	For Ø6	2	2	
148	0026100006	Flat Washer	M6	2	2	
149	6066080000	Pin		2	2	
150	0010100620	Bolt	M6×20	1	1	
151	7646490000	Sticker	P25	1	1	
152	6576020010	Operation Oil Mark			1	



ミッション関係



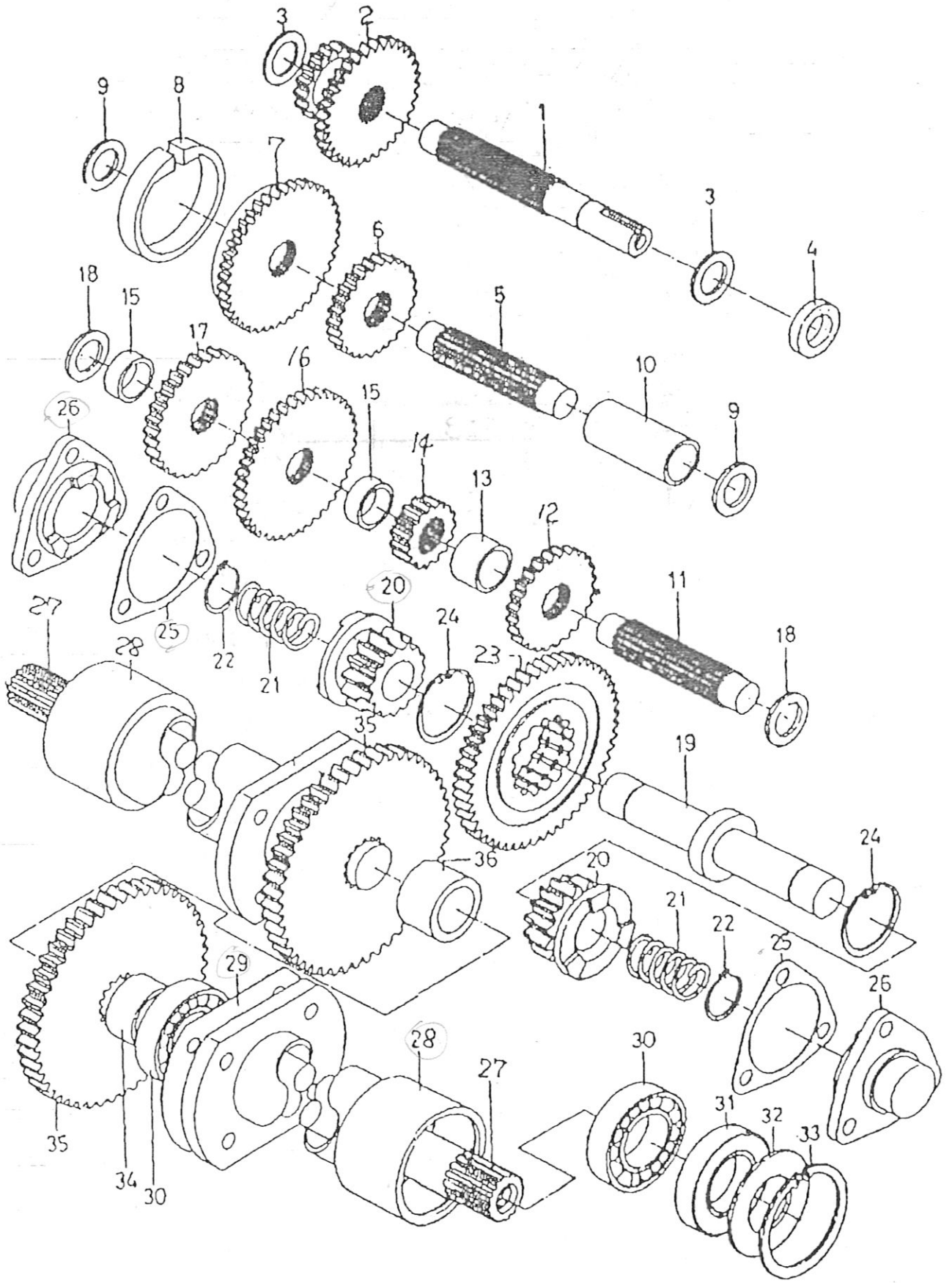
FE11BG02		ミッションケース関係 (1)		TRANSMISSION (1)	
	図番	品番	品名	数量	
	1	2111-706011	ケース L	1	TRANSMISSION CASE (L)
	2	2111-706516	ケース R	1	TRANSMISSION CASE (R)
8240557	3	2153-601219	11°ツキン(ケース)	1	PACKING (CASE)
8240552	4	2144-405305	シフター(デフ)	2	SHIFTER (DIFFERENTIAL)
	5	2104-400401	オイルシール 14248	2	OILSEAL 14248
8240553	6	2340-412505	レバ-SC COMP.	2	LEVER SC COMP
8240554	7	2102-400403	ロックワッシャー 8	2	LOCKWASHER 8mm
	8	0304-081000	8 ナット	2	NUT 8mm
8240551	9	2105-406709	プラグ G 21	1	PLUG G21
	10	2104-400609	ブラケット 22	1	BLIND CAP 22
	11	2340-412318	シフター-シフトC COMP.	1	SHIFTER AXLE COMP
	12	0460-050250	5ピン S	1	5 PIN S
	13	2104-402009	Oリング P10A	2	O-RING P10A
824055B	14	2153-409806	11°ツキン(ブラケット)	1	PACKING (BRACKET)
8240550	15	2144-408351	ブラケット CH	1	BRACKET CH
	16	0600-015000	15トメ S	1	STOP RING S 15
8240703	17	2340-412208	CHシフト COMP.	1	CH SHAFT COMPLETE
	18	2152-400200	バネ(ホーク)	1	SPRING
	19	0650-050160	5/16 スチールボール	1	5/16 STEEL BALL
	20	0410-080000	8 ワッシャー S	25	S WASHER 8mm
	21	0304-082000	8 ナット	23	NUT 8mm
	22	2154-404404	ロックナット 8	1	LOCKNUT 8mm
	23	0400-080000	8 ワッシャー	1	WASHER 8mm
	24	2340-407101	レバ-BK COMP.	1	LEVER BK COMPLETE
	25	2135-408308	カムシフト	1	CAM SHAFT
	26	2152-405502	モトシバネ	1	RETURN SPRING
	27	2156-400909	バネカケ	1	SPRING HOOK
	28	2105-400202	ガスケット 8	2	GASKET 8mm
	29	2105-400103	プラグ 8	2	PLUG 8 mm
	30	2105-400905	ガスケット 14	1	GASKET 14mm
	31	2105-400806	プラグ 14	1	PLUG 14mm
8240555	32	0177-080302	8 スタッド	8	STUD 8mm
8240556	33	0176-080353	8 スタッド	8	STUD 8mm
	34	0107-080400	8 ボルト	2	BOLT 8mm
	35	0107-080800	8 ボルト	3	BOLT 8mm
	36	0107-081200	8 ボルト	1	BOLT 8mm
	37	0107-081300	8 ボルト	1	BOLT 8mm

FE11BG02

ミッションケース関係(2)

図番	品番	品名	数量	
38	2154-404206	シールボルト 8-16	2	SEAL BOLT 8-16
39	2105-402701	ゴムサガネ 8	2	RUBBER WASHER 8
40	2340-600275	サクウジ COMP.	1	ROPE HOLDER COMPLETE
41	2155-401709	ロックパイプ	2	PIPE
42	0140-050100	5ソケットボルト	1	SOCKET BOLT 5mm

ミッション伝導関係



FE11BG02

ミッション伝導関係

	図番	品番	品名	数量	
	1	2133-407907	ジク A	1	SHAFT A
	2	2122-409707	ギヤ AB 21-31	1	GEAR AB 21-31
	3	0702-172000	サガネ	2	WASHER
	4	2104-412309	オイルシール 17326	1	OILSEAL 17326
	5	2132-405201	ジク B	1	SHAFT B
	6	2122-409905	ギヤ S26	1	GEAR S26
8240514	7	2129-413503	ギヤ G37	1	GEAR G37
8240513	8	2135-400302	シュー BK	1	SHOE BK
	9	0702-172000	サガネ	2	WASHER
	10	2103-418005	カラ- 202554	1	COLLAR
	11	2132-405201	ジク B	1	SHAFT C
	12	2122-403309	ギヤ F28	1	GEAR E28
	13	2103-417909	カラ- 202516.5	1	COLLAR 202516 5
	14	2122-410509	ギヤ I 18	1	GEAR I 18
	15	2103-412102	カラ- 20259	2	COLLAR 20259
	16	2122-409806	ギヤ E37	1	GEAR E37
	17	2122-408513	ギヤ T33	1	GEAR T-33
	18	0702-172000	サガネ	2	WASHER
	19	2131-409705	ジク D	1	SHAFT D
8240515	20	2330-417602	ギヤ K COMP.	2	GEAR K COMPLETE
	21	2152-408602	バネ SC	2	SPRING SC
	22	0600-021000	21 トメ7S	2	STOPRING S 21MM
	23	2129-414401	ギヤ J 51	1	GEAR J 51
	24	0610-037000	37 トメ7H	2	STOP RING H 37MM
8240559	25	2153-409707	パッキン(カバー C)	2	PACKING (COVER C)
8240516	26	2330-417404	カバー SC COMP.	2	COVER SC
	27	2133-619500	ジク G	2	SHAFT G
8240521	28	2310-406718	シャフトケース COMP.	2	AXLE CASE
8240560	29	2153-410114	パッキン(シャフトケース)	2	PACKING (AXLE CASE)
	30	0501-600600	ボールベアリング	4	BALL BEARING
	31	2104-412408	オイルシール 30511	2	OILSEAL
	32	2156-410704	カバー	2	COVER
	33	2101-410001	55 トメ7R	2	STOP RING R 55MM
	34	2103-420101	カラ- 303517	2	COLLAR 303517
	35	2123-415613	ギヤ L 47	2	GEAR L 47MM
	36	2103-417404	カラ- 253524	1	COLLAR 253524

SATO